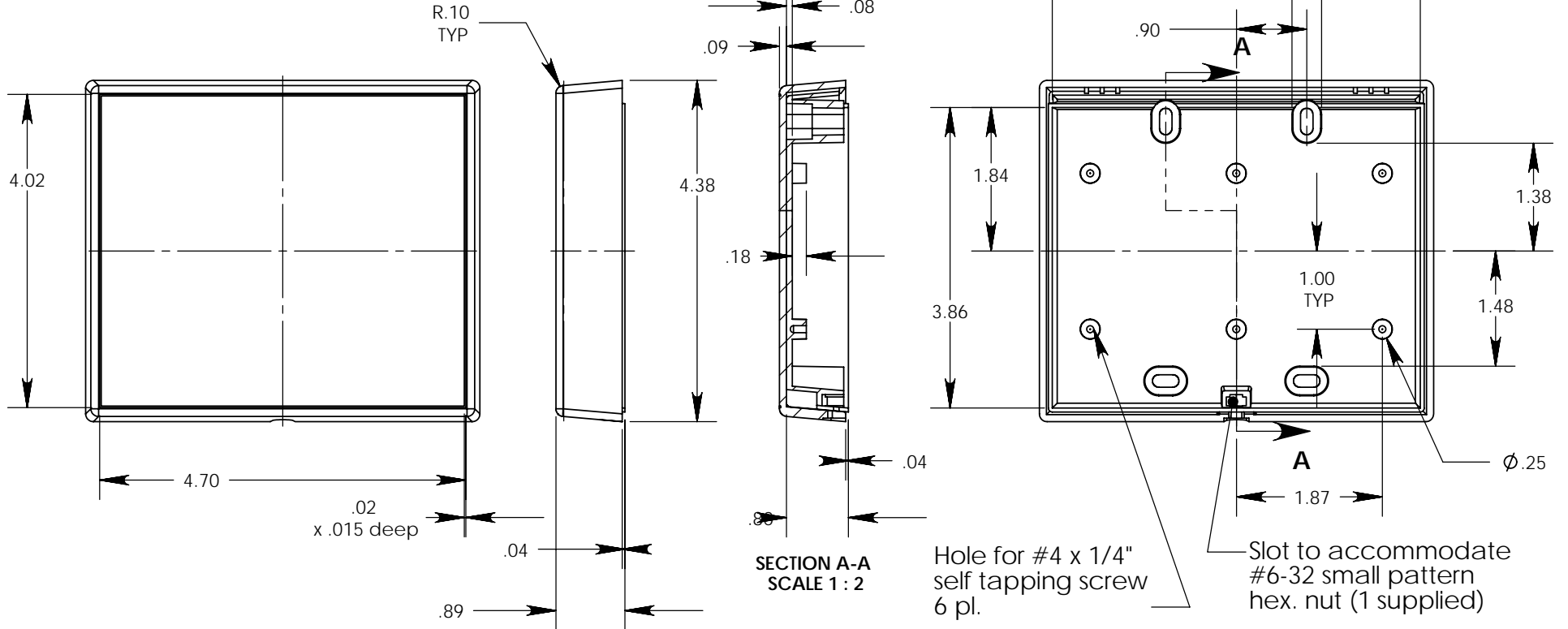


SERPAC G-20

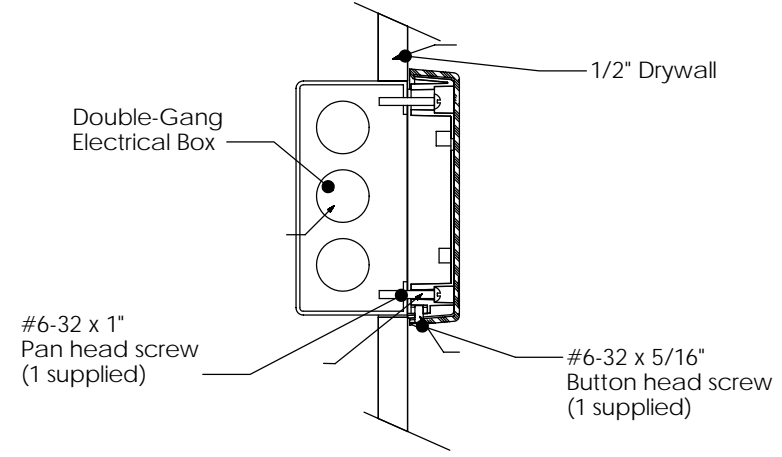
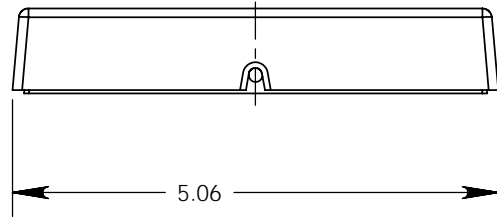
Electronic Enclosures



SECTION A-A
SCALE 1 : 2

Hole for #4 x 1/4" self tapping screw 6 pl.

Slot to accommodate #6-32 small pattern hex. nut (1 supplied)



NOTES: